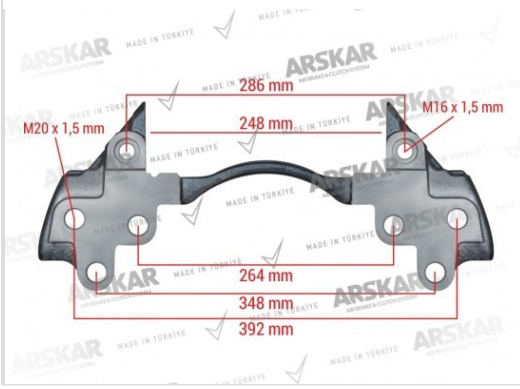




PRODUCT DETAILS

PORTAPINZAS - 22.5



ARSKAR NO

160 820 382

MARCA

KNORR-BREMSE

**NÚMERO DE
REFERENCIA**

K001510, K108814K50, I1322030061,
1603322, 5021171540, 16M0008242AA

PAQUETE UNIDAD

1 pcs

CONTACT



ARSKAR AUTOMOTIVE CO. LTD.

Aşağıpınarbaşı 5. Osb Mahallesi 516. Sokak
No: 16 Selçuklu/Konya/Türkiye

+90.332 345 09 24

arskar@arskar.com.tr