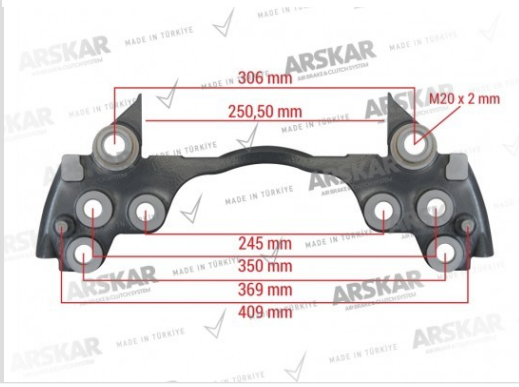




## PRODUCT DETAILS

### PORTAPINZAS - 22.5



**ARSKAR NO**

160 840 681

**MARCA**

MERITOR

**NÚMERO DE REFERENCIA**

68322778, 68322849, 3092253,  
1489072

**PAQUETE UNIDAD**

1 pcs

### CONTACT



**ARSKAR AUTOMOTIVE CO. LTD.**

Aşağıpınarbaşı 5. Osb Mahallesi 516. Sokak  
No: 16 Selçuklu/Konya/Türkiye

**+90.332 345 09 24**

arskar@arskar.com.tr